

FEATURES

- Designed to meet or exceed IEEE 802.3, 10Base-T specifications
- Available with common mode chokes for EMI suppression
- Surface mount , IC grade, transfer-molded package withstands 235°C peak temperature profile



TEST CONDITIONS

- Inductance ----- 100KHZ/20mV
- Leakage Inductance ----- 100KHZ/20mV
- Interwinding Capacitance -- 100KHZ/20mV

ELECTRICAL SPECIFICATIONS @25°C -Operating temperature 0°C TO 70°C

PART NUMBER	Turns Ratio (±5%)		Primary Pins	Common Mode Choke	Sine Wave Inductance OCL' (μH MIN)	Interwinding Capacitance CWW' (pF MAX)	Leakage Inductance LL' (μH MAX)	DCR (Ω MAX)	Hi-Pot (Vrms)	Schem.	m e c h.
	Transmit	Receive									

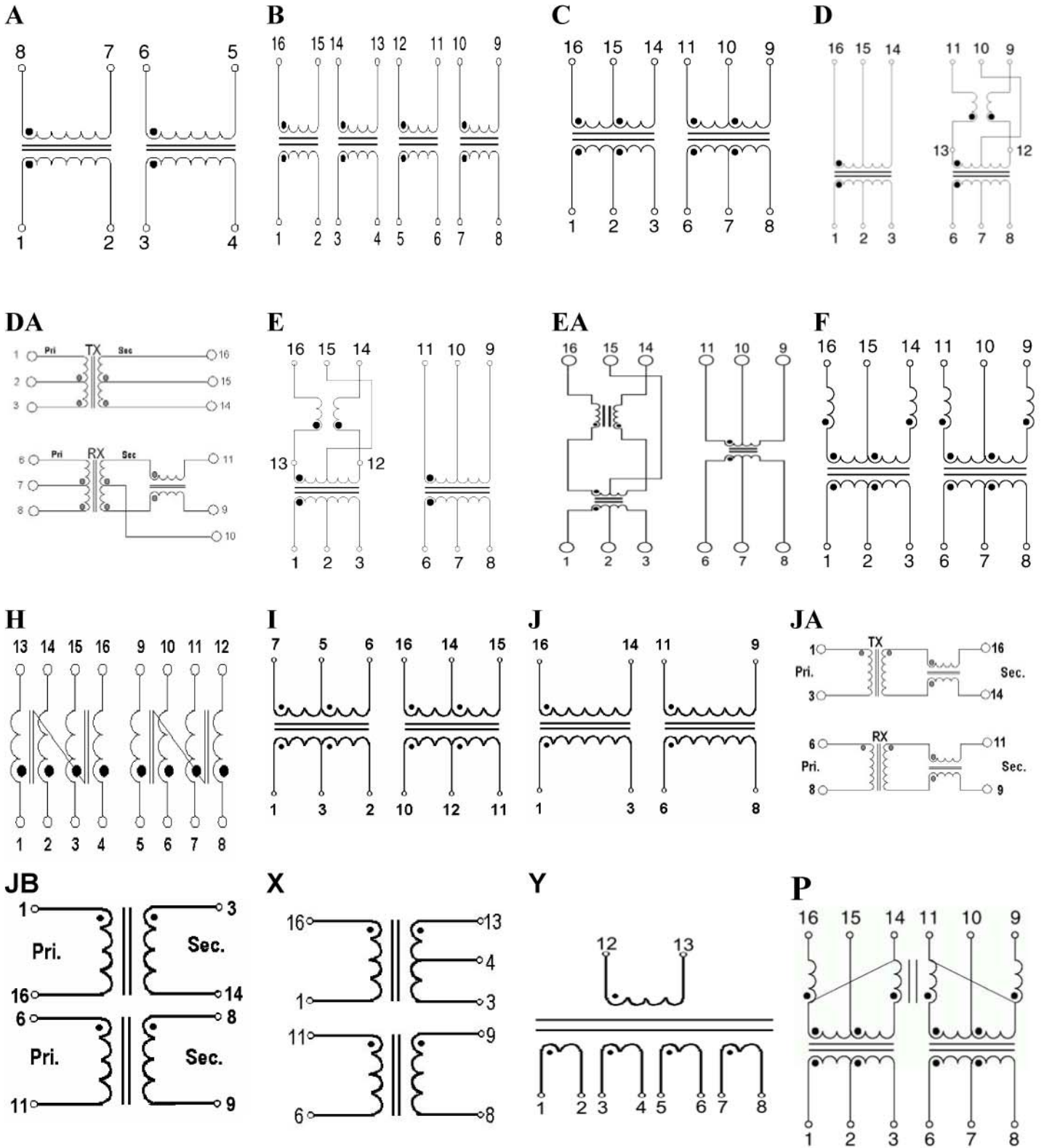
Surface Mount

TC-25T1411A1	1:√2	1:1	3-4/1-2		140	12	0.2	0.4	2000	A	1
TC-25T2011E3	1CT:1CT	1CT:1CT	1-3/6-8	X	200	10	0.25	1.0	1500	E	3
TC-25T2011C3	1CT:1CT	1CT:1CT	1-3/6-8		200	10	0.2	0.3	2000	C	3
TC-25T1111D3	1CT:√2CT	1CT:1CT	6-8/1-3	X	110	15	0.4	1.0	1500	D	3
TC-25T1412C3	1CT:√2CT	1CT:1CT	6-8/1-3		140	12	0.2	0.3	2000	C	3
TC-25T2012C3	1CT:√2CT	1CT:1CT	6-8/1-3		200	15	0.5	0.4	2000	C	3
TC-25T2011F3	1CT:√2CT	1CT:1CT	6-8/1-3	X	200	12	0.5	0.6	2000	F	3
TC-25T1013C3	2CT:1CT	1CT:1CT	1-3/6-8		100	10	0.4	0.5	2000	C	3
TC-25T1411E3	2CT:1CT	1CT:1CT	1-3/6-8	X	140	12	0.3	1.0	1500	E	3
TC-25T1112D3	1CT:2CT	1CT:1CT	6-8/1-3	X	112	8	0.3	0.8	1500	D	3
TC-25T1114C3	1CT:2CT	1CT:1CT	6-8/1-3		112	8	0.3	0.5	1500	C	3
TC-25T1412F3	1CT:2CT	1CT:1CT	6-8/1-3	X	140	12	0.1	0.6	2000	F	3
TC-25T2012E3	1CT:2CT	1CT:1CT	1-3/6-8	X	200	12	0.3	1.0	1500	E	3
TC-25T1411B3	—	1:1(4X)	1-2/3-4 5-6/7-8		140	12	0.2	0.4	2000	B	3
TC-25T1412B3	1:√2 (4X)	—	1-2/3-4 5-6/7-8		140	12	0.2	0.4	2000	B	3

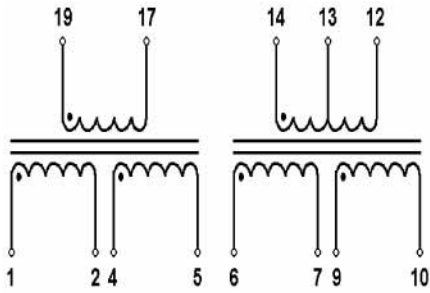
Through Hole

TC-25T8003C2	2CT:1CT	1CT:1CT	1-3/6-8		80	10	0.4	0.5	2000	C	2
TC-25T1412C2	1CT:√2CT	1CT:1CT	6-8/1-3		140	15	0.5	0.4	2000	C	2
TC-25T2011C2	1CT:1CT	1CT:1CT	1-3/6-8		200	15	0.25	0.3	2000	C	2
TC-25T1412F4	1CT:1CT	1CT:1CT	1-3/6-8	X	140	15	0.3	0.3	1500	F	4
TC-25T1411G5	1CT:1	1CT:1	1-2/3-4 7-8/9-10	X	140	15	0.3	0.3	1500	G	5
TC-25T2211GA5	1CT:1	1CT:1	1-2/4-6/16- 17/19-20	X	220	20	0.4	0.5	1500	GA	5

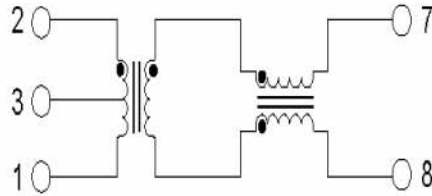
SCHEMATICS



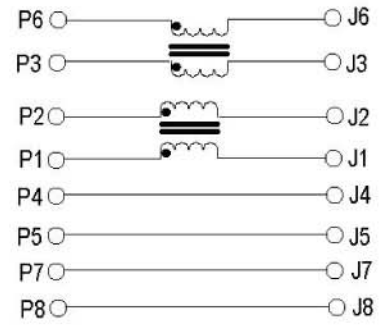
K



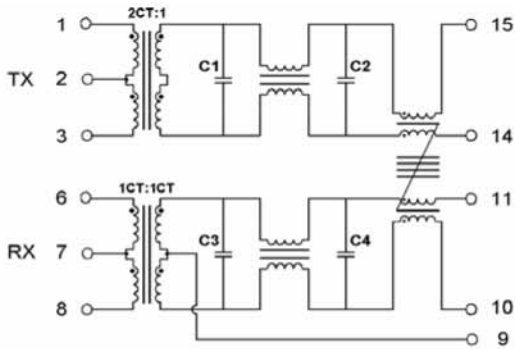
M



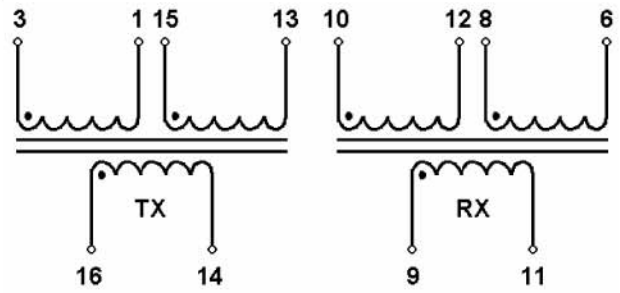
Q



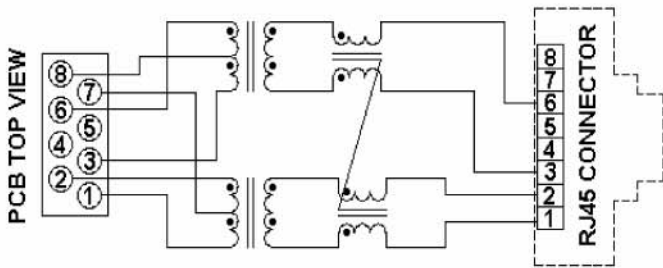
L



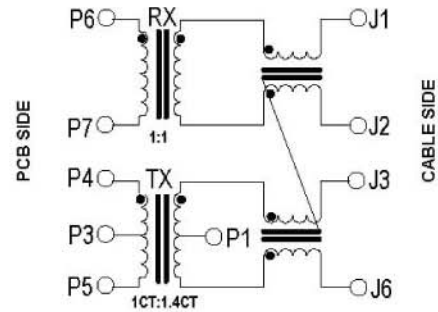
R



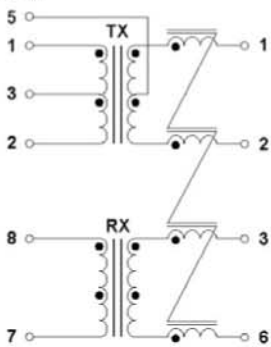
N



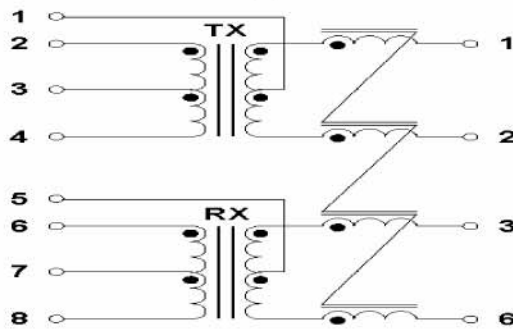
NB



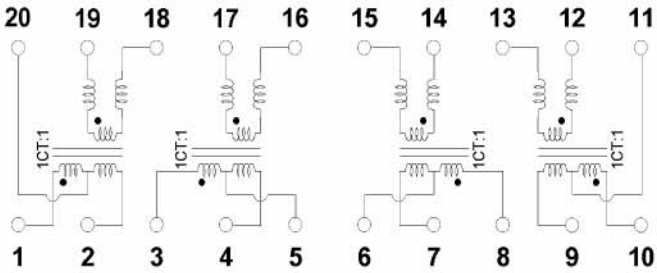
N1



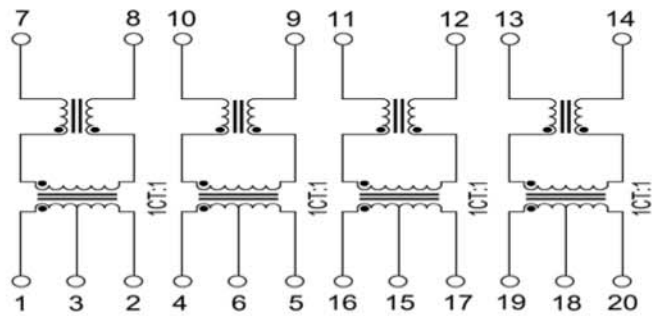
T



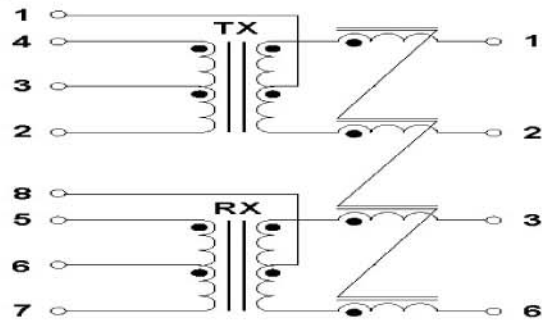
G



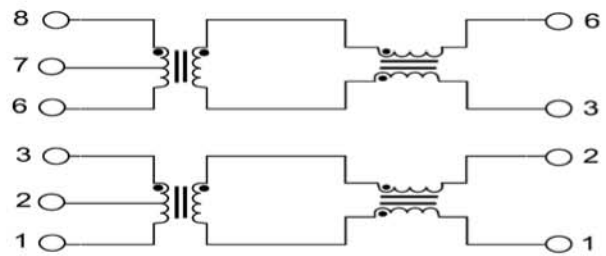
GA



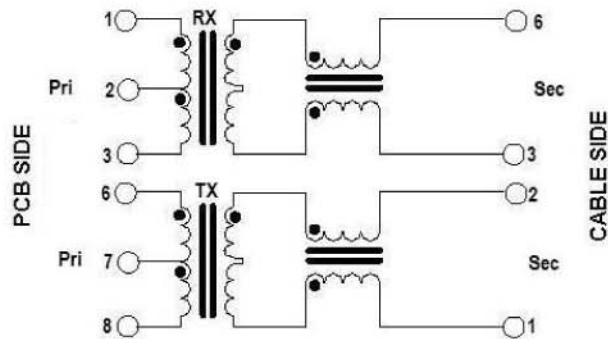
U



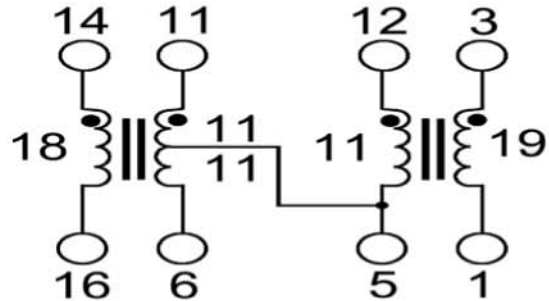
V



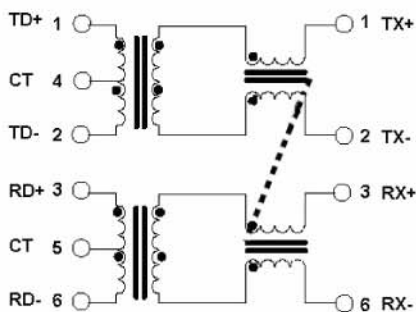
UA



W

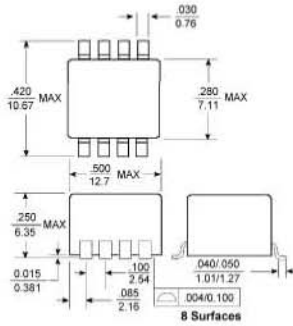


Z

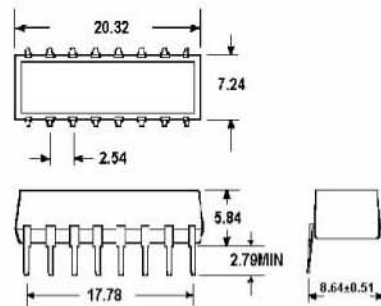


DIMENSIONS

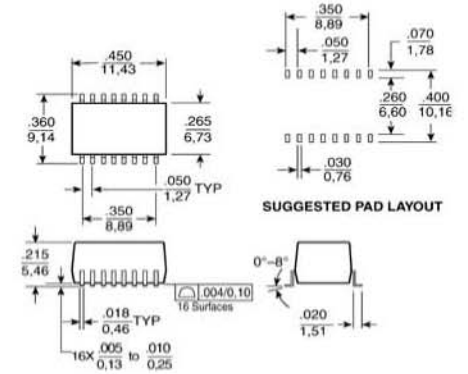
1



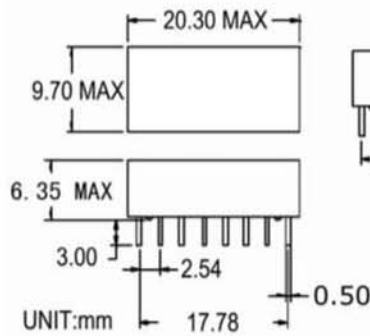
2



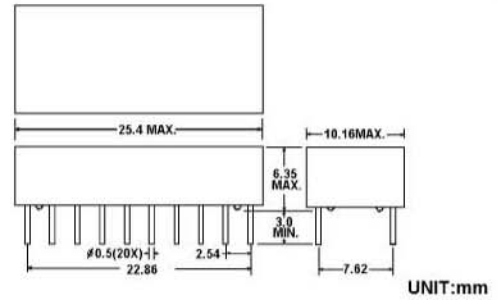
3



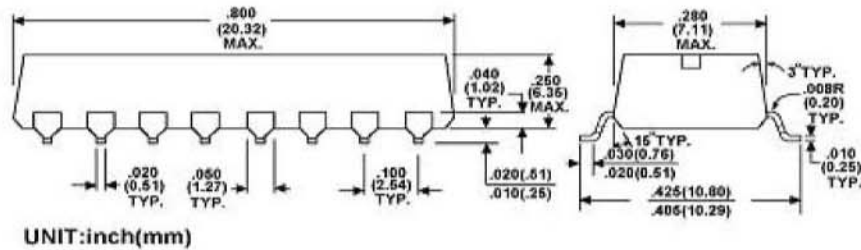
4



5



6



7

